

DEWALT®

XR LI-ION

English

3

한국어

12

Fig. A
그림 A

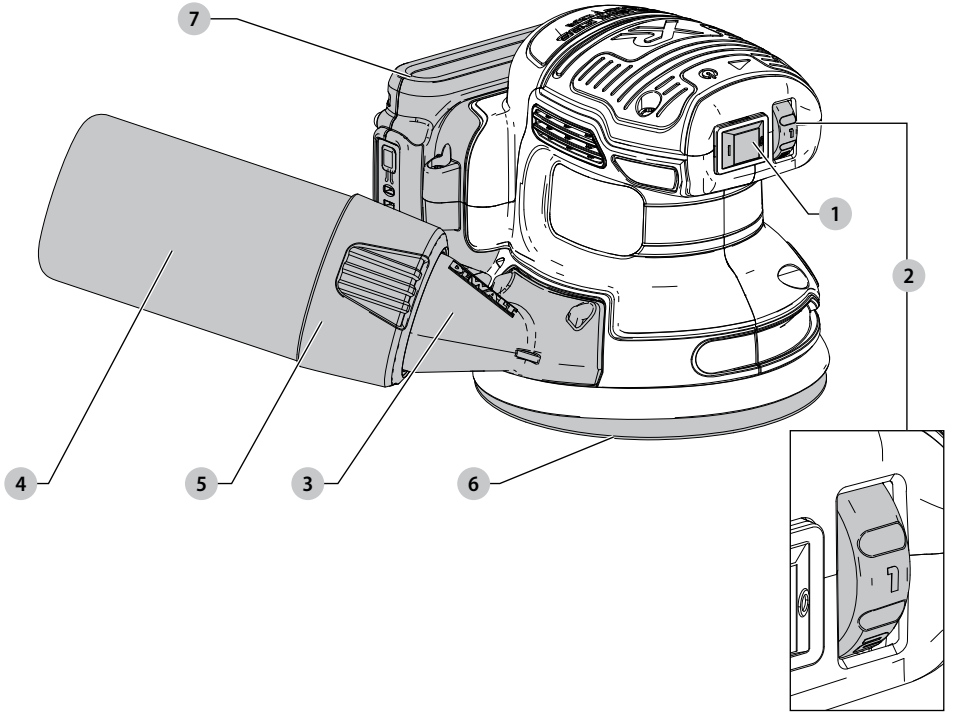


Fig. B
그림 B

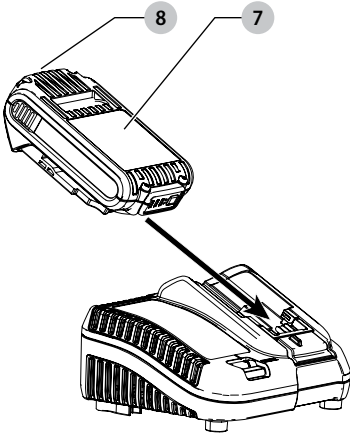


Fig. C
그림 C

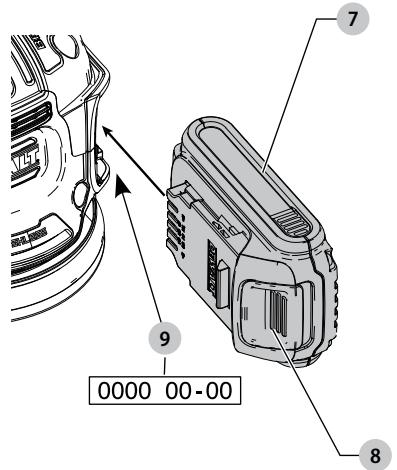


Fig. D
그림 D

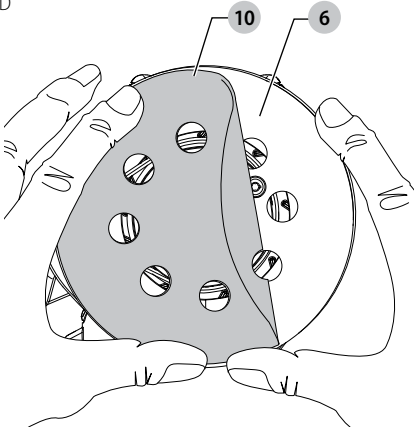


Fig. E
그림 E

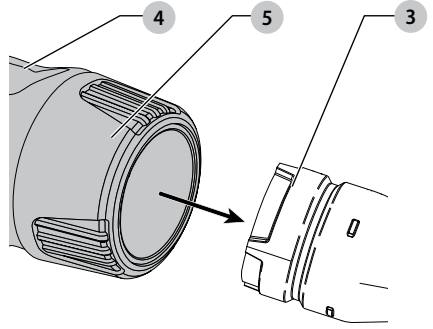


Fig. F
그림 F

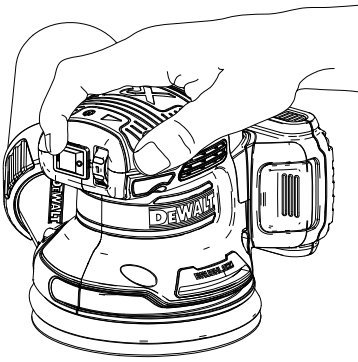
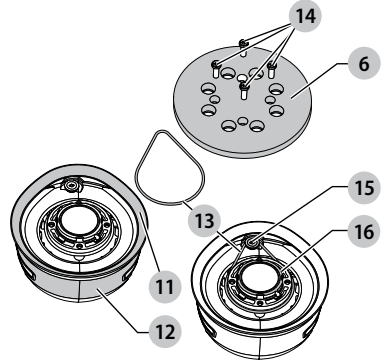


Fig. G
그림 G



CORDLESS RANDOM ORBIT SANDER

DCW210

Congratulations!

You have chosen a DEWALT tool. Years of experience, thorough product development and innovation make DEWALT one of the most reliable partners for professional power tool users.

Technical Data

DCW210		
Voltage	V _{bc}	18V(20V MAX)
Battery type		Li-Ion
Orbits per minute		8000–12000
Weight (without battery pack)	kg	0.88

Maximum initial battery voltage (measured without a workload) is 20 volts. Nominal voltage is 18.

Definitions: Safety Guidelines

The definitions below describe the level of severity for each signal word. Please read the manual and pay attention to these symbols.



DANGER: Indicates an imminently hazardous situation which, if not avoided, **will** result in **death or serious injury**.



WARNING: Indicates a potentially hazardous situation which, if not avoided, **could** result in **death or serious injury**.



CAUTION: Indicates a potentially hazardous situation which, if not avoided, **may** result in **minor or moderate injury**.

NOTICE: Indicates a practice **not related to personal injury** which, if not avoided, **may** result in **property damage**.



Denotes risk of electric shock.



Denotes risk of fire.

GENERAL POWER TOOL SAFETY WARNINGS



WARNING: Read all safety warnings, instructions, illustrations and specifications provided with this power tool. Failure to follow all instructions listed below may result in electric shock, fire and/or serious injury.

SAVE ALL WARNINGS AND INSTRUCTIONS FOR FUTURE REFERENCE.

The term "power tool" in the warnings refers to your mains-operated (corded) power tool or battery-operated (cordless) power tool.

1) Work Area Safety

- Keep work area clean and well lit.** Cluttered or dark areas invite accidents.
- Do not operate power tools in explosive atmospheres, such as in the presence of flammable liquids, gases or dust.** Power tools create sparks which may ignite the dust or fumes.
- Keep children and bystanders away while operating a power tool.** Distractions can cause you to lose control.

2) Electrical Safety

- Power tool plugs must match the outlet. Never modify the plug in any way. Do not use any adapter plugs with earthed (grounded) power tools.** Unmodified plugs and matching outlets will reduce risk of electric shock.
- Avoid body contact with earthed or grounded surfaces such as pipes, radiators, ranges and refrigerators.** There is an increased risk of electric shock if your body is earthed or grounded.
- Do not expose power tools to rain or wet conditions.** Water entering a power tool will increase the risk of electric shock.

	V	Ah	(kg)	DCB107	DCB112	DCB113	DCB115	DCB118	DCB132	DCB119
DCB546	20/60V Max	6.0/2.0	1.05	270	170	140	90	60	90	X
DCB547	20/60V Max	9.0/3.0	1.46	420	270	220	140	85	140	X
DCB548	20/60V Max	12.0/4.0	1.44	540	350	300	180	180	120	X
DCB181	18	1.5	0.35	70	45	35	22	22	22	45
DCB182	18	4.0	0.61	185	120	100	60	60	60	120
DCB183/B	18	2.0	0.40	90	60	50	30	30	30	60
DCB184/B	18	5.0	0.62	240	150	120	75	75	75	150
DCB185	18	1.3	0.35	60	40	30	22	22	22	X
DCB187	18	3.0	0.54	140	90	70	45	45	45	90
DCB189	18	4.0	0.54	185	120	100	60	60	60	120

- d) **Do not abuse the cord. Never use the cord for carrying, pulling or unplugging the power tool. Keep cord away from heat, oil, sharp edges or moving parts.** Damaged or entangled cords increase the risk of electric shock.
- e) **When operating a power tool outdoors, use an extension cord suitable for outdoor use.** Use of a cord suitable for outdoor use reduces the risk of electric shock.
- f) **If operating a power tool in a damp location is unavoidable, use a residual current device (RCD) protected supply.** Use of an RCD reduces the risk of electric shock.

3) Personal Safety

- a) **Stay alert, watch what you are doing and use common sense when operating a power tool. Do not use a power tool while you are tired or under the influence of drugs, alcohol or medication.** A moment of inattention while operating power tools may result in serious personal injury.
- b) **Use personal protective equipment. Always wear eye protection.** Protective equipment such as dust mask, non-skid safety shoes, hard hat or hearing protection used for appropriate conditions will reduce personal injuries.
- c) **Prevent unintentional starting. Ensure the switch is in the off-position before connecting to power source and/or battery pack, picking up or carrying the tool.** Carrying power tools with your finger on the switch or energising power tools that have the switch on invites accidents.
- d) **Remove any adjusting key or wrench before turning the power tool on.** A wrench or a key left attached to a rotating part of the power tool may result in personal injury.
- e) **Do not overreach. Keep proper footing and balance at all times.** This enables better control of the power tool in unexpected situations.
- f) **Dress properly. Do not wear loose clothing or jewellery. Keep your hair and clothing away from moving parts.** Loose clothes, jewellery or long hair can be caught in moving parts.
- g) **If devices are provided for the connection of dust extraction and collection facilities, ensure these are connected and properly used.** Use of dust collection can reduce dust-related hazards.
- h) **Do not let familiarity gained from frequent use of tools allow you to become complacent and ignore tool safety principles.** A careless action can cause severe injury within a fraction of a second.

4) Power Tool Use and Care

- a) **Do not force the power tool. Use the correct power tool for your application.** The correct power tool will do the job better and safer at the rate for which it was designed.
- b) **Do not use the power tool if the switch does not turn it on and off.** Any power tool that cannot be controlled with the switch is dangerous and must be repaired.

- c) **Disconnect the plug from the power source and/or the battery pack, if detachable, from the power tool before making any adjustments, changing accessories, or storing power tools.** Such preventive safety measures reduce the risk of starting the power tool accidentally.
- d) **Store idle power tools out of the reach of children and do not allow persons unfamiliar with the power tool or these instructions to operate the power tool.** Power tools are dangerous in the hands of untrained users.
- e) **Maintain power tools and accessories. Check for misalignment or binding of moving parts, breakage of parts and any other condition that may affect the power tool's operation. If damaged, have the power tool repaired before use.** Many accidents are caused by poorly maintained power tools.
- f) **Keep cutting tools sharp and clean.** Properly maintained cutting tools with sharp cutting edges are less likely to bind and are easier to control.
- g) **Use the power tool, accessories and tool bits, etc. in accordance with these instructions, taking into account the working conditions and the work to be performed.** Use of the power tool for operations different from those intended could result in a hazardous situation.
- h) **Keep handles and grasping surfaces dry, clean and free from oil and grease.** Slippery handles and grasping surfaces do not allow for safe handling and control of the tool in unexpected situations.

5) Battery Tool Use and Care

- a) **Recharge only with the charger specified by the manufacturer.** A charger that is suitable for one type of battery pack may create a risk of fire when used with another battery pack.
- b) **Use power tools only with specifically designated battery packs.** Use of any other battery packs may create a risk of injury and fire.
- c) **When battery pack is not in use, keep it away from other metal objects, like paper clips, coins, keys, nails, screws or other small metal objects, that can make a connection from one terminal to another.** Shorting the battery terminals together may cause burns or a fire.
- d) **Under abusive conditions, liquid may be ejected from the battery; avoid contact. If contact accidentally occurs, flush with water. If liquid contacts eyes, additionally seek medical help.** Liquid ejected from the battery may cause irritation or burns.
- e) **Do not use a battery pack or tool that is damaged or modified.** Damaged or modified batteries may exhibit unpredictable behaviour resulting in fire, explosion or risk of injury.
- f) **Do not expose a battery pack or tool to fire or excessive temperature.** Exposure to fire or temperature above 130 °C may cause explosion.

- g) **Follow all charging instructions and do not charge the battery pack or tool outside the temperature range specified in the instructions.** Charging improperly or at temperatures outside the specified range may damage the battery and increase the risk of fire.

6) Service

- a) **Have your power tool serviced by a qualified repair person using only identical replacement parts.** This will ensure that the safety of the power tool is maintained.
- b) **Never service damaged battery packs.** Service of battery packs should only be performed by the manufacturer or authorized service providers.

Additional Safety Instructions for Sanders

- **Hold the power tool by insulated gripping surfaces, because the sanding surface may contact its own cord. Cutting a "live" wire may make exposed metal parts of the power tool "live" and could give the operator an electric shock.**
- **Always wear eye protection and a respirator when sanding.**
- **Sanding of lead-based paint is not recommended.** See **Precautions to Take When Sanding Paint** for additional information before sanding paint.
- **Do not operate the unit without the dust collection bag or dust collection system.**
- **Clean your tool out periodically.**
- **Empty dust bag frequently, especially when sanding resin coated surfaces such as polyurethane, varnish, shellac, etc.** Dispose of coated dust particles according to the finish manufacturer's guidelines, or place in a metal can with a tight-fitting metal lid. Remove coated dust particles from the premises daily. The accumulation of fine sanding dust particles may self ignite and cause fire.
- **Replace a worn or damaged belt when it causes high tool rpm.** High tool rpm caused by a worn out belt may result in separation of sanding pad from the sander, possibly causing personal injury. For instructions on replacing the belt, see **Replacing the Sanding Pad and the Belt** under **Maintenance**.

Residual Risks

In spite of the application of the relevant safety regulations and the implementation of safety devices, certain residual risks cannot be avoided. These are:

- Impairment of hearing.
- Risk of personal injury due to flying particles.
- Risk of burns due to accessories becoming hot during operation.
- Risk of personal injury due to prolonged use.

SAVE THESE INSTRUCTIONS

Chargers

DEWALT chargers require no adjustment and are designed to be as easy as possible to operate.

Electrical Safety

The electric motor has been designed for one voltage only. Always check that the battery pack voltage corresponds to the voltage on the rating plate. Also make sure that the voltage of your charger corresponds to that of your mains.



Your DEWALT charger is double insulated in accordance with IEC60335; therefore no earth wire is required.

If the supply cord is damaged, it must be replaced by a specially prepared cord available through the DEWALT service organisation.

Using an Extension Cable

An extension cord should not be used unless absolutely necessary. Use an approved extension cable suitable for the power input of your charger (see **Technical Data**). The minimum conductor size is 1 mm²; the maximum length is 30 m.

When using a cable reel, always unwind the cable completely.

Important Safety Instructions for All Battery Chargers

SAVE THESE INSTRUCTIONS: This manual contains important safety and operating instructions for compatible battery chargers (refer to **Technical Data**).

- *Before using charger, read all instructions and cautionary markings on charger, battery pack, and product using battery pack.*



WARNING: Shock hazard. Do not allow any liquid to get inside charger. Electric shock may result.



WARNING: We recommend the use of a residual current device with a residual current rating of 30mA or less.



CAUTION: Burn hazard. To reduce the risk of injury, charge only DEWALT rechargeable batteries. Other types of batteries may burst causing personal injury and damage.



CAUTION: Children should be supervised to ensure that they do not play with the appliance.

NOTICE: Under certain conditions, with the charger plugged into the power supply, the exposed charging contacts inside the charger can be shorted by foreign material. Foreign materials of a conductive nature such as, but not limited to, steel wool, aluminum foil or any buildup of metallic particles should be kept away from charger cavities. Always unplug the charger from the power supply when there is no battery pack in the cavity. Unplug charger before attempting to clean

- **DO NOT attempt to charge the battery pack with any chargers other than the ones in this manual.** The charger and battery pack are specifically designed to work together.

- **These chargers are not intended for any uses other than charging DEWALT rechargeable batteries.** Any other uses may result in risk of fire, electric shock or electrocution.
- **Do not expose charger to rain or snow.**
- **Pull by plug rather than cord when disconnecting charger.** This will reduce risk of damage to electric plug and cord.
- **Make sure that cord is located so that it will not be stepped on, tripped over, or otherwise subjected to damage or stress.**
- **Do not use an extension cord unless it is absolutely necessary.** Use of improper extension cord could result in risk of fire, electric shock, or electrocution.
- **Do not place any object on top of charger or place the charger on a soft surface that might block the ventilation slots and result in excessive internal heat.** Place the charger in a position away from any heat source. The charger is ventilated through slots in the top and the bottom of the housing.
- **Do not operate charger with damaged cord or plug—** have them replaced immediately.
- **Do not operate charger if it has received a sharp blow, been dropped, or otherwise damaged in any way.** Take it to an authorised service centre.
- **Do not disassemble charger; take it to an authorised service centre when service or repair is required.** Incorrect reassembly may result in a risk of electric shock, electrocution or fire.
- *In case of damaged power supply cord the supply cord must be replaced immediately by the manufacturer, its service agent or similar qualified person to prevent any hazard.*
- **Disconnect the charger from the outlet before attempting any cleaning. This will reduce the risk of electric shock.** Removing the battery pack will not reduce this risk.
- **NEVER** attempt to connect two chargers together.
- **The charger is designed to operate on standard 220-240V household electrical power. Do not attempt to use it on any other voltage.** This does not apply to the vehicular charger.


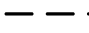







Charging a Battery (Fig. B)

1. Plug the charger into an appropriate outlet before inserting battery pack.
2. Insert the battery pack **7** into the charger, making sure the battery pack is fully seated in the charger. The red (charging) light will blink repeatedly indicating that the charging process has started.
3. The completion of charge will be indicated by the red light remaining ON continuously. The battery pack is fully charged and may be used at this time or left in the charger. To remove the battery pack from the charger, push the battery release button **8** on the battery pack.

NOTE: To ensure maximum performance and life of lithium-ion battery packs, charge the battery pack fully before first use.

Charger Operation

Refer to the indicators below for the charge status of the battery pack.

Charge Indicators			
	Charging		
	Fully Charged		
	Hot/Cold Pack Delay*		

*The red light will continue to blink, but a yellow indicator light will be illuminated during this operation. Once the battery pack has reached an appropriate temperature, the yellow light will turn off and the charger will resume the charging procedure. The compatible charger(s) will not charge a faulty battery pack. The charger will indicate faulty battery by refusing to light.

NOTE: This could also mean a problem with a charger.

If the charger indicates a problem, take the charger and battery pack to be tested at an authorised service centre.

Hot/Cold Pack Delay

When the charger detects a battery pack that is too hot or too cold, it automatically starts a Hot/Cold Pack Delay, suspending charging until the battery pack has reached an appropriate temperature. The charger then automatically switches to the pack charging mode. This feature ensures maximum battery pack life.

A cold battery pack will charge at a slower rate than a warm battery pack. The battery pack will charge at that slower rate throughout the entire charging cycle and will not return to maximum charge rate even if the battery pack warms.

The DCB118 charger is equipped with an internal fan designed to cool the battery pack. The fan will turn on automatically when the battery pack needs to be cooled. Never operate the charger if the fan does not operate properly or if ventilation slots are blocked. Do not permit foreign objects to enter the interior of the charger.

Electronic Protection System

XR Li-Ion tools are designed with an Electronic Protection System that will protect the battery pack against overloading, overheating or deep discharge.

The tool will automatically turn off if the Electronic Protection System engages. If this occurs, place the lithium-ion battery pack on the charger until it is fully charged.

Wall Mounting

These chargers are designed to be wall mountable or to sit upright on a table or work surface. If wall mounting, locate the charger within reach of an electrical outlet, and away from a corner or other obstructions which may impede air flow. Use the back of the charger as a template for the location of the mounting screws on the wall. Mount the charger securely using drywall screws (purchased separately) at least 25.4 mm long with a screw head diameter of 7–9 mm, screwed into wood to an optimal depth leaving approximately 5.5 mm of the screw exposed. Align the slots on the back of the charger with the exposed screws and fully engage them in the slots.

Charger Cleaning Instructions



WARNING: Shock hazard. Disconnect the charger from the AC outlet before cleaning. Dirt and grease may be removed from the exterior of the charger using a cloth or soft non-metallic brush. Do not use water or any cleaning solutions. Never let any liquid get inside the tool; never immerse any part of the tool into a liquid.

Battery Packs

Important Safety Instructions for All Battery Packs

The battery pack is not fully charged out of the carton. Before using the battery pack and charger, read the safety instructions below. Then follow charging procedures outlined.

READ ALL INSTRUCTIONS

- **Do not charge or use battery in explosive atmospheres, such as in the presence of flammable liquids, gases or dust.** Inserting or removing the battery from the charger may ignite the dust or fumes.
- **Never force battery pack into charger. Do not modify battery pack in any way to fit into a non-compatible charger as battery pack may rupture causing serious personal injury.**
- Charge the battery packs only in DEWALT chargers.
- **DO NOT splash or immerse in water or other liquids.**
- **Do not store or use the tool and battery pack in locations where the temperature may reach or exceed 40 °C (104 °F) (such as outside sheds or metal buildings in summer).**
- **Do not incinerate the battery pack even if it is severely damaged or is completely worn out.** The battery pack can explode in a fire. Toxic fumes and materials are created when lithium-ion battery packs are burned.
- **If battery contents come into contact with the skin, immediately wash area with mild soap and water.** If battery liquid gets into the eye, rinse water over the open eye for 15 minutes or until irritation ceases. If medical attention is needed, the battery electrolyte is composed of a mixture of liquid organic carbonates and lithium salts.
- **Contents of opened battery cells may cause respiratory irritation.** Provide fresh air. If symptoms persists, seek medical attention.



WARNING: Burn hazard. Battery liquid may be flammable if exposed to spark or flame.



WARNING: Never attempt to open the battery pack for any reason. If battery pack case is cracked or damaged, do not insert into charger. Do not crush, drop or damage battery pack. Do not use a battery pack or charger that has received a sharp blow, been dropped, run over or damaged in any way (i.e., pierced with a nail, hit with a hammer, stepped on). Electric shock or electrocution may result. Damaged battery packs should be returned to service centre for recycling.



WARNING: Fire hazard. Do not store or carry the battery pack so that metal objects can contact exposed battery terminals. For example, do not place the battery pack in aprons, pockets, tool boxes, product kit boxes, drawers, etc., with loose nails, screws, keys, etc.



CAUTION: When not in use, place tool on its side on a stable surface where it will not cause a tripping or falling hazard. Some tools with large battery packs will stand upright on the battery pack but may be easily knocked over.

Transportation



WARNING: Fire hazard. Transporting batteries can possibly cause fire if the battery terminals inadvertently come in contact with conductive materials. When transporting batteries, make sure that the battery terminals are protected and well insulated from materials that could contact them and cause a short circuit.

NOTE: Lithium-ion batteries should not be put in checked baggage.

DEWALT batteries comply with all applicable shipping regulations as prescribed by industry and legal standards which include UN Recommendations on the Transport of Dangerous Goods; International Air Transport Association (IATA) Dangerous Goods Regulations, International Maritime Dangerous Goods (IMDG) Regulations, and the European Agreement Concerning The International Carriage of Dangerous Goods by Road (ADR). Lithium-ion cells and batteries have been tested to section 38.3 of the UN Recommendations on the Transport of Dangerous Goods Manual of Tests and Criteria.

In most instances, shipping a DEWALT battery pack will be excepted from being classified as a fully regulated Class 9 Hazardous Material. In general, only shipments containing a lithium-ion battery with an energy rating greater than 100 Watt Hours (Wh) will require being shipped as fully regulated Class 9. All lithium-ion batteries have the Watt Hour rating marked on the pack. Furthermore, due to regulation complexities, DEWALT does not recommend air shipping lithium-ion battery packs alone regardless of Watt Hour rating. Shipments of tools with batteries (combo kits) can be air shipped as excepted if the Watt Hour rating of the battery pack is no greater than 100 Whr.

Regardless of whether a shipment is considered excepted or fully regulated, it is the shipper's responsibility to consult the latest regulations for packaging, labeling/marketing and documentation requirements.

The information provided in this section of the manual is provided in good faith and believed to be accurate at the time the document was created. However, no warranty, expressed or implied, is given. It is the buyer's responsibility to ensure that its activities comply with the applicable regulations.

Transporting the FLEXVOLT™ Battery

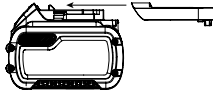
The DEWALT FLEXVOLT™ battery has two modes: **Use** and **Transport**.

Use Mode: When the FLEXVOLT™ battery stands alone or is in a DEWALT 18/20Max Volt product, it will operate as an 18/20 Max Volt battery. When the FLEXVOLT™ battery is in a 54/60 Max Volt

or a 108/120 Max Volt (two 54/60 Max Volt batteries) product, it will operate as a 54V battery.

Transport Mode: When the cap is attached to the FLEXVOLT™ battery, the battery is in Transport mode. Keep the cap for shipping.

When in Transport mode, strings of cells are electrically disconnected within the pack resulting in 3 batteries with a lower Watt hour (Wh) rating as compared to 1 battery with a higher Watt hour rating. This increased quantity of 3 batteries with the lower Watt hour rating can exempt the pack from certain shipping regulations that are imposed upon the higher Watt hour batteries.



For example, the Transport Wh rating might indicate 3 x 36 Wh, meaning 3 batteries of 36 Wh each.



The Use Wh rating might indicate 108 Wh (1 battery implied).

Storage Recommendations

1. The best storage place is one that is cool and dry away from direct sunlight and excess heat or cold. For optimum battery performance and life, store battery packs at room temperature when not in use.
2. For long storage, it is recommended to store a fully charged battery pack in a cool, dry place out of the charger for optimal results.

NOTE: Battery packs should not be stored completely depleted of charge. The battery pack will need to be recharged before use.

Labels on Charger and Battery Pack

In addition to the pictographs used in this manual, the labels on the charger and the battery pack may show the following pictographs:



Read instruction manual before use.



See **Technical Data** for charging time.



Do not probe with conductive objects.



Do not charge damaged battery packs.



Do not expose to water.



Have defective cords replaced immediately.



Charge only between 4 °C and 40 °C.



Only for indoor use.



LI-ION

Discard the battery pack with due care for the environment.



Charge DeWALT battery packs only with designated DeWALT chargers. Charging battery packs other than the designated DeWALT batteries with a DeWALT charger may make them burst or lead to other dangerous situations.



Do not incinerate the battery pack.



USE (without transport cap). Example: Wh rating indicates 108 Wh (1 battery with 108 Wh).



TRANSPORT (with built-in transport cap). Example: Wh rating indicates 3 x 36 Wh (3 batteries of 36 Wh).

Battery Type

The DCW210 operates on an 18/20 Max volt battery pack. These battery packs may be used: DCB181, DCB182, DCB183, DCB183B, DCB184, DCB184B, DCB185, DCB187, DCB189, DCB546, DCB547, DCB548. Refer to **Technical Data** for more information.

DCW210 Random Orbit Sander accepts all DeWalt 20V batteries. 5.0Ahr or lower batteries recommended.

Package Contents

The package contains:

- 1 Random orbit sander
- 1 Dust bag
- 1 Li-Ion battery pack (C1, D1, L1, M1, P1, S1, T1, X1 models)
- 2 Li-Ion battery packs (C2, D2, L2, M2, P2, S2, T2, X2 models)
- 3 Li-Ion battery packs (C3, D3, L3, M3, P3, S3, T3, X3 models)
- 1 Instruction manual

NOTE: Battery packs, chargers and kitboxes are not included with N models. Battery packs and chargers are not included with NT models. B models include Bluetooth® battery packs.

NOTE: The Bluetooth® word mark and logos are registered trademarks owned by the Bluetooth®, SIG, Inc. and any use of such marks by DeWALT is under license. Other trademarks and trade names are those of their respective owners.

- Check for damage to the tool, parts or accessories which may have occurred during transport.
- Take the time to thoroughly read and understand this manual prior to operation.

Markings on Tool

The following pictographs are shown on the tool:



Read instruction manual before use.



Wear ear protection.



Wear eye protection.

Date Code Position (Fig. C)

The date code **9**, which also includes the year of manufacture, is printed into the housing.

Example:

2018 XX XX

Year of Manufacture

Description (Fig. A)



WARNING: Never modify the power tool or any part of it. Damage or personal injury could result.

- 1 On/Off switch
- 2 Speed control dial
- 3 Dust port
- 4 Dust bag
- 5 Dust bag collar
- 6 Sanding pad
- 7 Battery pack

Intended Use

This random orbit sander has been designed for sanding wood, metal, plastics and painted surfaces.

DO NOT use under wet conditions or in the presence of flammable liquids or gases.

This sander is a professional power tool. **DO NOT** let children come into contact with the tool. Supervision is required when inexperienced operators use this tool.

- **Young children and the infirm.** This appliance is not intended for use by young children or infirm persons without supervision.
- This product is not intended for use by persons (including children) suffering from diminished physical, sensory or mental abilities; lack of experience, knowledge or skills unless they are supervised by a person responsible for their safety. Children should never be left alone with this product.

ASSEMBLY AND ADJUSTMENTS



WARNING: To reduce the risk of serious personal injury, turn tool off and disconnect battery pack before making any adjustments or removing/installing attachments or accessories. An accidental start-up can cause injury.



WARNING: Use only DEWALT battery packs and chargers.

Inserting and Removing the Battery Pack from the Tool (Fig. C)

NOTE: Make sure your battery pack **7** is fully charged.

To Install the Battery Pack into the Tool Handle

1. Align the battery pack **7** with the rails inside the sander's battery port (Fig. C).

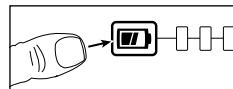
2. Slide it into the battery port until the battery pack is firmly seated and ensure that you hear the lock snap into place.

To Remove the Battery Pack from the Tool

1. Press the release button **8** and firmly pull the battery pack out of the battery port.
2. Insert battery pack into the charger as described in the charger section of this manual.

Fuel Gauge Battery Packs

Some DEWALT battery packs include a fuel gauge which consists of three green LED lights that indicate the level of charge remaining in the battery pack.



To actuate the fuel gauge, press and hold the fuel gauge button. A combination of the three green LED lights will illuminate designating the level of charge left. When the level of charge in the battery is below the usable limit, the fuel gauge will not illuminate and the battery will need to be recharged.

NOTE: The fuel gauge is only an indication of the charge left on the battery pack. It does not indicate tool functionality and is subject to variation based on product components, temperature and end-user application.

Attaching Sanding Discs (Fig. D)

Your sander is designed to use 125 mm sanding discs **10** with an 8-hole dust extraction pattern. Sanding discs for the DCW210 attach with hook and loop.

To Attach Sanding Disc to the Sanding Pad (Fig. D)

1. Turn the sander over so that the sanding pad **6** is facing upward.
2. Clean the dust from the sanding pad **6** face.
3. Hold the pad with one hand to keep it from rotating.
4. With the other hand, align the holes and place the sanding disc **10** directly on top of the pad.

NOTE: These sanders are not to be used in drywall applications. Using a sanding screen (e.g., screen used for sanding drywall) directly on the hook and loop pad will not hold and will damage the hooks on the pad. The hooks on the pad will wear very rapidly if left in contact with the work surface while the tool is operating.

Switch (Fig. A)

To turn the unit on, depress the side of the dust-protected switch **1** that corresponds to the symbol "I". To turn the tool off, depress the side of the switch that corresponds to the symbol "O".

Speed Control Dial (Fig. A)

The speed control dial **2**, shown in Figure A, allows you to increase or decrease speed from 8000–12000 Orbits Per Minute. The optimal speed setting for each application is very much dependent on personal preference. Generally, you will want to use a higher setting on harder materials and a lower

setting on softer materials. Material removal rate increases as speed increases.

Dust Extraction (Fig. A, E, G)



WARNING: Since woodworking with a sander produces dust, always install a dust bag designed in compliance with the applicable directives regarding dust emission.



WARNING: Do not use a dust bag or vacuum extractor without proper spark protection when sanding metal.

Your sander has two dust extraction methods: a built-in port **3** which allows either the supplied dust bag **4** or a shop vacuum system to be connected; and a dust skirt (**11**, Fig. G). The built-in port utilizes the DEWALT airlock connection making it compatible with the DEWALT dust extractor and airlock accessory DWV9000.

To Attach the Dust Bag

1. While holding the sander, fit the dust bag collar **5** to the dust port **3** as shown in Figure E.
2. Turn the collar **5** clockwise to lock the dust bag **4** in place.

To Empty the Dust Bag

NOTE: Be sure to wear approved eye protection and approved dust mask when performing this procedure.

For efficient dust extraction, empty the dust collector when it is about one third full.

1. While holding the sander, turn the collar **5** anticlockwise to unlock the dust bag **4**.
2. Remove dust bag from the sander and gently shake or tap the dust bag to empty.
3. Reattach the dust bag back onto the dust port and lock into place by turning the dust bag collar clockwise.

You may notice that all the dust will not come free from the bag. This will not affect sanding performance but will reduce the sander's dust collection efficiency. To restore your sander's dust collection efficiency, depress the spring inside the dust bag when you are emptying it and tap it on the side of the waste bin or dust receptacle.



CAUTION: Never operate this sander unless a dust collector is in place. Sanding dust exhaust may create a breathing hazard.

OPERATION

Instructions for Use



WARNING: Always observe the safety instructions and applicable regulations.



WARNING: To reduce the risk of serious personal injury, turn tool off and disconnect battery pack before making any adjustments or removing/installing attachments or accessories. An accidental start-up can cause injury.

Proper Hand Position (Fig. F)



WARNING: To reduce the risk of serious personal injury, ALWAYS use proper hand position as shown.



WARNING: To reduce the risk of serious personal injury, ALWAYS hold securely in anticipation of a sudden reaction.

Proper hand position requires one hand on the main grip as shown.

Operating the Sander (Fig. F)

NOTICE: These Sanders are not to be used in drywall applications.

NOTICE: Avoid overloading your sander. Overloading will result in a considerable reduction in speed and finish quality of your work. The unit may also become hot. In this event, run sander at a no load condition for a minute or two.

To operate your sander, grasp it as shown in Figure F and turn it on. Move the sander in long, sweeping strokes along the surface being sanded, letting the sander do the work.

Pushing down on the tool while sanding actually slows the removal rate and produces an inferior quality surface. Be sure to check your work often, this sander is capable of removing material rapidly, especially with coarse paper.

The random orbital action of your sander allows you to sand with the grain or at any angle across it for most sanding jobs. To produce the best finish possible, start with coarse grit sandpaper and change gradually to finer and finer paper. Vacuum and wipe surface with a tack cloth between grit steps. Your sander is designed to sand into small or confined areas. Its small size and light weight make it ideal for overhead work.

The rate at which the dust collection bag fills up will vary with the type of material being sanded and the coarseness of the sandpaper. For best results, empty the bag frequently. When sanding painted surfaces, (see the following for additional precautions when sanding paint) you may find that the sandpaper loads up and clogs with paint. A heat gun will work much better to remove paint before sanding. FOLLOW ALL SAFETY INSTRUCTIONS IN HEAT GUN INSTRUCTION MANUAL.

Precautions to Take When Sanding Paint

Sanding of lead based paint is NOT RECOMMENDED due to the difficulty of controlling the contaminated dust. The greatest danger of lead poisoning is to children and pregnant women. Since it is difficult to identify whether or not a paint contains lead without a chemical analysis, we recommend the following precautions when sanding any paint:

1. PERSONAL SAFETY

- No children or pregnant women should enter the work area where the paint sanding is being done until all clean up is completed.
- A dust mask or respirator should be worn by all persons entering the work area. The filter should be replaced daily or whenever the wearer has difficulty breathing. See your local hardware store for the proper NIOSH-approved dust mask.

- NO EATING, DRINKING or SMOKING should be done in the work area to prevent ingesting contaminated paint particles. Workers should wash and clean up BEFORE eating, drinking or smoking. Articles of food, drink, or smoking should not be left in the work area where dust would settle on them.

2. ENVIRONMENTAL SAFETY


- Paint should be removed in such a manner as to minimize the amount of dust generated.
- Areas where paint removal is occurring should be sealed with plastic sheeting of 4 mils thickness.
- Sanding should be done in a manner to reduce tracking of paint dust outside the work area.

3. CLEANING AND DISPOSAL

- All surfaces in the work area should be vacuumed and thoroughly cleaned daily for the duration of the sanding project. Vacuum filter bags should be changed frequently.
- Plastic drop cloths should be gathered up and disposed of along with any dust chips or other removal debris. They should be placed in sealed refuse receptacles and disposed of through regular trash pick-up procedures. During clean up, children and pregnant women should be kept away from the immediate work area.
- All toys, washable furniture and utensils used by children should be washed thoroughly before being used again.

MAINTENANCE

Your DEWALT power tool has been designed to operate over a long period of time with a minimum of maintenance. Continuous satisfactory operation depends upon proper tool care and regular cleaning.

 **WARNING:** *To reduce the risk of serious personal injury, turn tool off and disconnect battery pack before making any adjustments or removing/ installing attachments or accessories. An accidental start-up can cause injury.*

The charger and battery pack are not serviceable.

Replacing the Sanding Pad and the Belt (Fig. G)

Your sander is equipped with a replaceable belt **13** which is located between the pad **6** and the sander body **12**. It is designed to control the pad speed while the unit is off the work surface. The belt and the sanding pad **6** are designed to be consumable parts and will occasionally need to be replaced. The sanding pad needs replacement when signs of wear become evident. Replacement of the belt is necessary when the pad speed increases very dramatically when the unit is lifted from the work surface. These parts are available at extra cost from your local dealer or authorised DEWALT service centre.

1. Holding the platen firmly, remove the four screws **14** from the bottom of the pad.
2. Remove the pad **6**.

3. Replace worn or damaged belt **13** by wrapping it around the shoulder screw **15** and bearing retainer **16** as shown in Figure G.
4. Reinstall pad (replace with new pad if necessary). Replace the four screws **14**. Be careful not to over-tighten screws.



Lubrication

Your power tool requires no additional lubrication.



Cleaning



WARNING: *Blow dirt and dust out of the main housing with dry air as often as dirt is seen collecting in and around the air vents. Wear approved eye protection and approved dust mask when performing this procedure.*



WARNING: *Never use solvents or other harsh chemicals for cleaning the non-metallic parts of the tool. These chemicals may weaken the materials used in these parts. Use a cloth dampened only with water and mild soap. Never let any liquid get inside the tool; never immerse any part of the tool into a liquid.*

Optional Accessories




WARNING: *Since accessories, other than those offered by DEWALT, have not been tested with this product, use of such accessories with this tool could be hazardous. To reduce the risk of injury, only DEWALT recommended accessories should be used with this product.*

Consult your dealer for further information on the appropriate accessories.

Protecting the Environment



Separate collection. Products and batteries marked with this symbol must not be disposed of with normal household waste.

 Products and batteries contain materials that can be recovered or recycled reducing the demand for raw materials. Please recycle electrical products and batteries according to local provisions. Further information is available at www.2helpU.com.

Rechargeable Battery Pack

This long life battery pack must be recharged when it fails to produce sufficient power on jobs which were easily done before. At the end of its technical life, discard it with due care for our environment:

- Run the battery pack down completely, then remove it from the tool.
- Li-Ion cells are recyclable. Take them to your dealer or a local recycling station. The collected battery packs will be recycled or disposed of properly.

충전식 랜덤 원형 샌더 DCW210

축하합니다!

DeWALT 공구를 선택해 주셔서 감사합니다. 제품 개발과 혁신을 통한 다년간의 경험은 DeWALT를 전문 전동 공구 사용자들이 가장 믿을 수 있는 제품으로 만들어 왔습니다.

기술 데이터

DCW210			
전압	V _{DC}	18V/(최대 20V)	
배터리 유형		리튬 이온	
분당 회전 수		8000-12000	
무게(배터리 팩 제외)	kg	0.88	

최대 초기 배터리 전압(작업 부하 없이 측정됨)은 20볼트입니다. 공칭 전압은 18입니다.

정의: 안전 지침

다음 정의는 각 경고 문구의 심각도를 설명합니다. 사용 설명서를 읽고 다음 기호들에 유의하십시오.



위험: 절박한 위험 상태를 나타내며, 방지하지 않으면 **사망 또는 심각한 부상을 초래합니다.**



경고: 잠재적 위험 상태를 나타내며, 방지하지 않으면 **사망 또는 심각한 부상을 초래할 수 있습니다.**



주의: 잠재적으로 위험한 상태를 나타내며, 방지하지 않으면 **경미하거나 가벼운 부상을 초래할 수 있습니다.**

참고: 신체 부상을 초래하지 않는 행위를 나타내며 방지하지 않으면 **재산상의 손해가 발생할 수 있습니다.**



감전 위험을 나타냅니다.



화재 위험을 나타냅니다.

전동 공구에 관한 일반 안전 경고



경고: 이 전동 공구와 함께 제공되는 모든 안전 경고와 지시사항, 설명 및 사양을 읽으십시오. 아래 설명한 모든 지시 사항을 따르지 않으면 감전, 화재 및/또는 심각한 부상을 초래할 수 있습니다.

항후 참고할 수 있도록 모든 경고 및 지시 사항을 보관해두십시오.

경고에서 사용된 "전동 공구"라는 용어는 주 공급 전원에 의해 전기가 공급되는(유선) 전동 공구 또는 충전식(무선) 전동 공구를 의미합니다.

1) 작업장 안전

- 작업장을 항상 청결하고 밝게 유지하십시오.** 혼잡하거나 어두운 작업장에서는 사고가 발생하기 쉽습니다.
- 가연성 액체, 가스 또는 먼지 등이 있는 폭발성 대기에서 전동 공구를 사용하지 마십시오.** 전동 공구에서 먼지나 가스를 발화시킬 수 있는 불꽃이 될 수 있습니다.
- 전동 공구로 작업하는 동안에는 어린이와 주변 사람들이 작업 영역에 가까이 들어오지 못하도록 하십시오.** 주변이 산만해져 통제력을 잃을 수 있습니다.

2) 전기 안전

- 전동공구의 플러그는 콘센트와 형식이 일치해야 하며, 플러그를 어떤 형태로든 개조하지 마십시오.** 또한 접지된 전동공구에 다른 어댑터 플러그를 사용하지 마십시오. 개조되지 않은 플러그 및 형식이 일치하는 콘센트를 사용하면 감전 위험이 줄어듭니다.
- 파이프 관, 라디에이터, 렌즈, 냉장고 등의 접지 표면에 물이 닿지 않도록 하십시오.** 몸에 닿을 경우 감전이 될 위험이 높아집니다.

V		Ah	(kg)	DCB107	DCB112	DCB113	DCB115	DCB118	DCB132	DCB119
DCB546	최대 20/60V	6.0/2.0	1.05	270	170	140	90	60	90	X
DCB547	최대 20/60V	9.0/3.0	1.46	420	270	220	140	85	140	X
DCB548	최대 20/60V	12.0/4.0	1.44	540	350	300	180	180	120	X
DCB181	18	1.5	0.35	70	45	35	22	22	22	45
DCB182	18	4.0	0.61	185	120	100	60	60	60	120
DCB183/B	18	2.0	0.40	90	60	50	30	30	30	60
DCB184/B	18	5.0	0.62	240	150	120	75	75	75	150
DCB185	18	1.3	0.35	60	40	30	22	22	22	X
DCB187	18	3.0	0.54	140	90	70	45	45	45	90
DCB189	18	4.0	0.54	185	120	100	60	60	60	120

- c) 전동 공구를 비 또는 습한 환경에 노출하지 않도록 주의하십시오. 전동 공구에 물이 들어가면 감전 위험이 높아집니다.
- d) 코드를 함부로 다루지 마십시오. 코드를 사용하여 전동공구를 운반하거나, 코드를 과도하게 잡아당겨서 플러그를 뽑지 않도록 주의하십시오. 전열코드가 열기 또는 오일과 접촉되는 것을 피하고, 날카로운 모서리 또는 기기의 기둥 부위에 닿지 않도록 주의하십시오. 코드가 손상되거나 얽혀 있으면 감전 위험이 높아집니다.
- e) 전동 공구를 실외에서 사용할 때는 실외 사용에 적합한 연장 코드를 사용하십시오. 실외 사용에 적합한 코드를 사용하면 감전 위험이 줄어듭니다.
- f) 전동공구를 습한 공간에서 사용할 경우, 반드시 누전 차단기(RCD)를 사용하십시오. RCD를 사용하면 감전 위험이 줄어듭니다.

3) 신체 안전 사항

- a) 전동 공구로 작업할 때는 방심하지 말고 작업에 주의하면서 상식에 따르십시오. 피곤한 상태이거나 약물, 술, 치료제를 복용한 상태에서는 전동 공구를 사용하지 마십시오. 전동 공구를 사용하다 잠깐만 한 눈을 팔아도 심각한 부상을 당할 수 있습니다.
- b) 신체 보호 장비를 착용하십시오. 항상 보안경을 착용하십시오. 적합한 상황에서 방진 마스크, 미끄럼 방지 안전화, 안전모 또는 청력 보호 기구 등의 보호 장비를 사용하면 신체 부상 위험이 줄어듭니다.
- c) 의도하지 않은 장비 자동 방지, 전원 및/또는 배터리 팩에 연결한 상태로 공구를 선택 또는 운반할 때는 사전에 스위치가 꺼짐 위치에 있는지 반드시 확인하십시오. 스위치가 꺼짐 위치에 있는 상태에서 스위치가 손가락이 닿은 상태로 전동 공구를 운반하거나 전동 공구에 전원을 공급하면 사고가 발생합니다.
- d) 전동 공구를 켜기 전에 모든 조정 키 또는 렌치를 제거하십시오. 전동 공구의 회전 부품에 렌치나 키가 부착되어 있으면 부상을 당할 수 있습니다.
- e) 무리하게 팔을 뻗지 마십시오. 항상 올바른 자세로 서서 균형을 유지하십시오. 안정된 자세로 작업을 할 경우 전동 공구를 안전하게 사용할 수 있습니다.
- f) 적절한 의복을 착용하십시오. 헐렁한 옷이나 장신구를 착용하지 마십시오. 머리카락과 옷이 움직이는 부품에 닿지 않도록 주의하십시오. 헐렁한 옷, 장신구 또는 긴 머리카락이 움직이는 부품에 걸릴 수 있습니다.
- g) 먼지 배출 및 집진 시설 연결을 위한 장치가 제공된 경우, 이를 장치가 연결되어 적절히 사용되고 있는지 반드시 확인하십시오. 집진 장치를 사용하면 먼지와 관련된 위험을 줄일 수 있습니다.
- h) 장치를 자주 사용함으로써 생긴 익숙함으로 인해 현실에 안주하거나 공구 안전 원칙을 무시하지 않도록 하십시오. 부주의한 작동은 순식간에 심각한 부상을 야기할 수 있습니다.

4) 전동 공구 사용 및 관리

- a) 전동 공구에 무리한 힘을 가하지 마십시오. 해당 용도에 맞는 올바른 전동 공구를 사용하십시오. 올바른 전동 공구를 사용하여 설계된 속도로 작업을 더욱 안전하고 정확하게 수행할 수 있습니다.
- b) 켜지지 않거나 꺼지지 않는 경우 전동 공구를 사용하지 마십시오. 스위치가 제어되지 않는 전동 공구는 위험하므로 수리해야 합니다.
- c) 전동 공구를 조정하거나 액세서리를 변경하거나 보관하기 전에 전동 공구에서 분리되는 경우 전원 및/또는 배터리 팩에서 플러그를 분리하십시오. 이러한 예방적 안전 조치를 따라야 전동 공구가 갑자기 작동할 위험이 줄어듭니다.
- d) 사용하지 않는 전동 공구는 어린이의 손이 닿지 않는 곳에 보관하고, 전동 공구나 본 지시 사항에 익숙하지 않은 사람이 전동 공구를 절대 사용하지 못하게 하십시오. 전동 공구는 훈련을 받지 않은 사용자가 다루면 위험합니다.
- e) 전동 공구 및 액세서리 유지 보수. 움직이는 부품의 잘못된 정렬이나 바인딩, 부품 파손 및 기타 전동 공구의 작동에 영향을 미칠 수 있는 기타 모든 상태를 확인하십시오. 손상된 부분은 있는 경우 사용하기 전에 전동 공구를 수리하십시오. 많은 사고는 전동 공구를 제대로 유지 보수하지 않아 발생합니다.
- f) 공구를 깨끗한 상태로 유지하십시오. 질삭 가장자리를 예리하게 잘 유지하면 절삭기를 사용할 때 바인딩이 적고 다루기가 용이합니다.
- g) 작업 환경과 수행할 작업을 고려하여, 본 지시 사항에 따라 전동 공구, 액세서리 및 톨 비트 등을 사용하십시오. 본 사용 설명서의 내용과 다른 용도로 전동 공구를 사용하면 위험한 상황이 발생할 수 있습니다.
- h) 핸들과 잡는 표면은 건조하고 깨끗한 상태를 유지하고 오일/기름이 묻지 않도록 하십시오. 미끄러운 핸들과 잡는 면은 예기치 못한 상황에서 안전한 취급과 공구 관리를 보장하지 않습니다.

5) 배터리 공구 사용 및 주의 사항

- a) 다시 충전할 때는 제조업체에서 지정한 충전기만 사용하십시오. 하나의 배터리 팩 유형에 적합한 충전기를 다른 배터리 팩과 함께 사용할 경우 화재의 위험이 있습니다.
- b) 전동 공구를 사용할 때는 구체적으로 지정되어 있는 배터리 팩만 사용하십시오. 다른 배터리 팩을 사용하면 부상을 입거나 화재의 위험이 있습니다.
- c) 배터리 팩을 사용하지 않을 때에는 클립, 동전, 키, 못, 나사 등의 금속 물체나, 단자 간에 연결할 수 있는 작은 금속 물체가 닿지 않도록 멀리 두십시오. 배터리 단자가 단락되면 화상을 입거나 화재의 위험이 있습니다.
- d) 배터리를 과다 사용하면 액체가 배터리에서 흘러 나올 수 있으므로, 접촉을 피하십시오. 실수로 접촉한 경우에는물로 씻으십시오. 액체가 눈에 들어간 경우 치료를 받으십시오. 배터리에서 나온 액체는 통증을 유발하거나 화상을 입힐 수 있습니다.

본 지침을 잘 보관해 두십시오.

- e) **손상되거나 변경된 배터리 팩 또는 공구를 사용하지 마십시오.** 손상되거나 개조된 배터리는 예측할 수 없는 작용을 보여, 화재, 폭발 또는 부상 위험을 야기할 수 있습니다.
- f) **배터리 팩 또는 공구를 불이나 과도한 온도에 노출하지 마십시오.** 불 또는 130°C 이상의 온도에 노출되면 폭발할 수 있습니다.
- g) **모든 충전 지침을 따르고 배터리 팩 또는 공구를 설명서에 지정된 범위 밖의 온도에서 충전하지 마십시오.** 적절하지 않게 충전하거나 지정된 범위 밖의 온도에서 충전하면 배터리가 손상되어 화재 위험이 증가될 수 있습니다.

6) 정비

- a) **자격을 갖춘 기술자가 동일 교체 부품을 사용하여 정비 작업을 수행해야 합니다.** 그래야 전동 공구의 안전이 보장됩니다.
- b) **손상된 배터리 팩을 정비하지 마십시오.** 배터리 팩은 제조업체 또는 공인 서비스 공급업체를 통해서만 점검을 받아야 합니다.

샌딩 추가 안전 지침

- **샌딩 표면이 자체 코드에 접촉할 수 있으므로, 절연된 그림핑 표면으로 전동 공구를 잡으십시오.** "전류가 흐르는" 전선을 자르면 전동 공구의 노출된 금속 부품을 "전류가 흐르는" 상태로 만들어 작업자를 감전시킬 수 있습니다.
- **샌딩할 때는 항상 보안경과 방독 마스크를 착용하십시오.**
- **납이 포함된 페인트의 샌딩 작업은 권장하지 않습니다.** 페인트 샌딩 작업 전에 추가 정보는 페인트 샌딩 작업 시의 주의 사항을 참고하십시오.
- **집진 백 또는 집진 장치 없이 기기를 작동하지 마십시오.**
- **공구를 정기적으로 청소하십시오.**
- **폴리우레탄, 니스, 셀락 등 레진 코팅된 표면을 샌딩할 때 특히 먼지주머니를 자주 비워 주십시오.** 마감재 제 조업체의 지침에 따라 코팅된 분진을 처리하거나 꼭 맞는 금속 뚜껑이 있는 금속 캔에 담아 두십시오. 매일 구내에서 코팅된 분진을 제거하십시오. 샌딩 미세 분진이 축적되면 자연 발화하여 화재가 발생할 수 있습니다.
- **공구 rpm이 높아지면 마모되거나 손상된 벨트를 교체하십시오.** 마모된 벨트로 인해 공구 rpm이 높아지면 샌딩에서 샌딩 패드가 분리되어 부상을 야기할 수 있습니다. 벨트 교체에 대한 지침은, **유지보수 아래 샌딩 패드 및 벨트 교체하기**를 참조하십시오.

기타 발생 가능한 위험

관련된 안전 규정을 준수하고 안전 장치를 사용한다고 해도 특정한 위험은 피할 수 없습니다. 이러한 위험은 다음과 같습니다.

- 청력 손상
- 파편 날림으로 인한 신체 부상 위험
- 작업 중 되겨워지는 액세서리로 인한 화상 위험
- 장시간 사용으로 인한 신체 부상의 위험

충전기

DEWALT 충전기는 어떠한 조절 작업도 필요 없으며 최대한 작동하기 쉽게 설계되었습니다.

전기 안전

전기 모터는 한 가지 전압에만 맞추어 설계되었습니다. 배터리 팩 전압이 명판에 기재된 전압과 일치하는지 항상 확인하십시오. 또한 충전기의 전압이 주전원의 전압과도 일치하는지 확인하십시오.



DEWALT 충전기는 IEC60335에 따라 이중 절연되어 있습니다. 따라서 접지선이 필요하지 않습니다.

전원 코드가 손상된 경우에는 DEWALT 서비스 센터를 통해 특수 제작된 코드로 교체해야만 합니다.

연장 케이블 이용

연장 코드는 가끔씩 사용하지 마십시오. 사용 중인 전원 공급 정격전원에 맞는 승인된 연장 코드를 사용하십시오 (**기술 데이터** 참조). 최소 도체 크기는 1 mm², 최대 길이는 30 m입니다.

케이블 릴을 사용할 때는 항상 케이블을 완전히 푸십시오.

모든 배터리 충전기에 대한 중요한 안전 지침

본 지침을 잘 보관해 두십시오. 본 사용 설명서에는 호환이 되는 배터리 충전기에 대한 중요한 안전 및 작업 지침이 포함되어 있습니다(**기술 데이터** 참조).

- 충전기를 사용하기 전에 충전기, 배터리 팩, 그리고 배터리 팩 관련 제품에 대한 지침과 주의 표시를 숙지하십시오.



경고: 감전 위험. 충전기 내부에 액체가 들어가지 않도록 하십시오. 감전될 수 있습니다.



경고: 정격 잔류 전류가 30mA 미만인 누전 차단기를 사용하는 것이 좋습니다.



주의: 화상 위험. 신체 부상의 위험을 줄이려면 DEWALT 충전용 배터리로만 충전하십시오. 다른 유형의 배터리는 폭발로 인한 신체 부상과 손상을 초래할 수 있습니다.



주의: 어린이가 본 제품을 가지고 놀지 못하도록 항상 주시해야 합니다.

참고: 특정 조건에서, 충전기가 전원 공급기에 연결되어 있으면 충전기 내부에 노출된 충전 접점이 이물질에 의해 단락될 수 있습니다. 철부스레기, 알루미늄 호일, 금속 입자 축적물 등의 전도성 이물질은 충전기 캐비티에 닿지 않게 해야 합니다. 캐비티 안에 배터리 팩이 없을 경우 항상 배터리 전원 공급기에서 충전기의 플러그를 뽑으십시오. 충전기를 청소할 때는 플러그를 뽑아야 합니다.

- **본 사용 설명서에 명시된 충전기 외의 다른 충전기로 배터리 팩을 충전하지 마십시오.** 본 충전기와 배터리 팩은 함께 사용하도록 특수 설계되었습니다.
- **이러한 충전기는 DEWALT 충전용 배터리 충전 이외의 용도로는 사용할 수 없습니다.** 다른 용도로 사용하면 화재, 감전 또는 감전사의 위험이 있습니다.
- **충전기가 비나 눈을 맞지 않도록 하십시오.**

- 충전기를 분리할 경우 코드가 아니라 플러그를 뽑으십시오. 그래야만 전기 플러그 및 코드 손상의 위험이 줄어듭니다.
- 코드가 밟히거나 걸리거나 기타 원인에 의해 손상되거나 압박을 받지 않도록 유의하십시오.
- 불가피한 경우가 아니면 연장 코드를 사용하지 마십시오. 연장 코드를 잘못 사용하면 화재, 감전 또는 감전사의 위험이 있습니다.
- 충전기 위에 물건을 올려놓거나 부드러운 표면에 충전기를 두면 환기 슬롯이 막혀 내부가 과열될 수 있습니다. 충전기는 열원에 가까이 두지 마십시오. 충전기는 하우징의 상단과 하단에 있는 슬롯을 통해 환기됩니다.
- 코드나 플러그가 손상된 충전기를 작동시키지 마십시오 — 즉시 교체하십시오.
- 심한 충격을 받았거나 떨어뜨렸거나 어떠한 식으로든 손상된 경우에는 충전기를 작동시키지 마십시오. 공인 서비스 센터로 가져가십시오.
- 충전기를 분해하지 마십시오. 서비스나 수리가 필요한 경우에는 공인 서비스 센터로 가져가십시오. 잘못 재조립하면 감전, 감전사 또는 화재의 위험이 있습니다.
- 전원 코드가 손상된 경우 사고 방지를 위해 제조업체, 서비스 대리점 또는 이에 준하는 유사격 수리 기술자를 통해 즉시 교체하십시오.
- 청소하려면 먼저 충전기를 콘센트에서 분리하십시오. 그래야 감전 위험이 줄어듭니다. 배터리 팩을 제거하는 것만으로 이러한 위험이 줄어들지는 않습니다.
- 절대로 충전기 두 개를 함께 연결하지 마십시오.
- 충전기는 가정용 표준 전력(220~240V)으로 작동하도록 설계되어 있습니다. 다른 전압에서는 사용하지 마십시오. 차량용 충전기는 제외됩니다.







배터리 충전(그림 B)

1. 배터리 팩을 끼우기 전에 충전기를 적절한 콘센트에 꽂습니다.
2. 충전기에 배터리 팩 7을 끼우고 배터리 팩이 완전히 장착되었는지 확인하십시오. 빨간색(충전 중) 표시등이 반복해서 깜박이면서 충전 프로세스가 시작되었음을 알립니다.
3. 충전이 완료되면 빨간색 불이 계속 켜져 있습니다. 배터리 팩이 완전히 충전되면 바로 사용하거나 충전기에 그대로 둡니다. 배터리 팩을 충전기에서 분리하려면, 배터리 팩에 있는 배터리 탈착 버튼 8을 누릅니다.

참고: 리튬이온 배터리 팩의 성능과 수명을 극대화하려면 처음 사용하기 전에 배터리 팩을 완전히 충전시키십시오.

충전기 작동

배터리 팩의 충전 상태는 아래 표시등을 참조하십시오.

충전 표시등	
 충전 중	
 완전 충전됨	
 냉/온 팩 지연*	

*빨간색 표시등이 계속 깜박거리지만, 노란색 표시등은 이 작동 동안 계속 켜져 있습니다. 배터리 팩이 적정 온도에 도달하면, 노란색 표시등이 꺼지고 충전기에서 충전 절차를 다시 시작합니다.

이 호환 충전기는 결합이 있는 배터리 팩은 충전하지 못합니다. 등이 켜지지 않도록 하여 배터리에 결합이 있음을 표시합니다.

참고: 이는 충전기 고장을 의미할 수도 있습니다.

충전기에 문제가 표시되는 경우 충전기와 배터리 팩을 공인 서비스 센터로 가져 가서 테스트를 받아 보십시오.

냉/온 팩 지연

충전기에서 너무 뜨겁거나 차가운 배터리 팩이 감지되면, 냉/온 팩 지연이 자동으로 시작되어 배터리 팩이 적절한 온도가 될 때까지 충전이 중단됩니다. 이 과정이 끝나면 충전기가 자동으로 팩 충전 모드로 전환됩니다. 이 기능은 배터리 팩 수명을 최대한으로 보장하기 위한 것입니다. 차가운 배터리 팩은 따뜻한 배터리 팩보다 더 느린 속도로 충전됩니다. 충전 사이클 전체에 걸쳐 배터리 팩은 이렇게 느린 속도로 충전되며 배터리 팩이 따뜻해지더라도 최대 충전 속도로 복원되지 않습니다.

DCB118 충전기에는 배터리 팩을 식히기 위해 설계된 내장 팬이 장착되어 있습니다. 배터리 팩을 식혀야 하면 팬이 자동으로 켜집니다. 팬이 제대로 작동하지 않거나 환기구가 막혀 있을 경우 충전기를 작동하지 마십시오. 이물질이 충전기 내부로 들어가지 않도록 하십시오.

전자 보호 시스템

XR 리튬이온 배터리 팩은 배터리에 과부하가 걸리거나 과열 또는 완전 방전되는 것을 방지하는 전자 보호 시스템으로 설계되었습니다.

이 공구는 전자 보호 시스템이 작동하면 자동으로 꺼집니다. 이러한 경우 리튬 이온 배터리가 완전히 충전될 때까지 충전기에 리튬 이온 배터리 팩을 넣으십시오.

벽 장착

이들 충전기는 테이블 또는 작업 표면에 똑바로 세우거나 벽에 장착할 수 있도록 설계되었습니다. 벽에 장착하는 경우, 충전기는 전기 콘센트에 닿을 수 있는 범위 내에 놓고, 공기 흐름이 방해될 수 있는 코너 또는 기타 장애물로부터 멀리 두십시오. 벽에서 장착 나사의 위치는 견본으로 충전기의 뒤쪽을 사용하십시오. 나사 머리 직경이 7-9 mm인 최소 25.4 mm 길이의 석고보드 나사(별도 구매)를 사용해서 충전기를 단단히 장착하고, 노출된 나사의 약 5.5 mm를 남겨 두고 최적의 깊이로 목재에 고정합니다. 충전기 뒤쪽의 구멍을 노출되어 있는 나사에 맞추고 구멍에 완전히 맞물리도록 하십시오.

충전기 청소 지침

⚠ 경고: 감전 위험. 청소하려면 먼저 충전기를 AC 콘센트에서 분리하십시오. 환경이나 부드러운 금속 이의 브러시로 충전기 외관 부분에 묻은 먼지 및 기름을 제거할 수 있습니다. 물이나 세척제를 사용하지 마십시오. 공구 내부에 액체를 넣거나 공구 부품을 액체에 담그는 행동은 절대 금물입니다.

배터리 팩


모든 배터리 팩에 대한 중요한 안전 지침


배터리 팩을 교체하기 위해 주문할 때는 카탈로그 번호와 전압을 반드시 확인하고 표기해야 합니다.


배터리 팩은 포장박스에서 꺼낼 때 완전히 충전된 상태가 아닙니다. 배터리 팩과 충전기를 사용하기 전에 아래 안전 지침을 숙독하십시오. 그런 다음 설명된 충전 절차를 따르십시오.


모든 지시 사항을 읽으십시오

- **가연성 액체, 가스 또는 먼지 등 폭발 위험이 있는 환경에서 배터리를 충전하거나 사용하지 마십시오.** 배터리를 끼우거나 충전기에서 분리할 때 먼지나 가스에 불이 붙을 수 있습니다.
- **충전기에 배터리 팩을 끼울 때 과도한 힘을 주지 마십시오.** 어떤 형태로든 호환되지 않는 충전기에 사용하기 위해 배터리 팩을 개조하지 마십시오. 배터리 팩이 파열되어 심각한 부상을 유발할 수 있습니다.
- DEWALT 충전기에서만 배터리 팩을 충전하십시오.
- 물이나 기타 액체가 튀어 묻거나 액체에 빠지지 않도록 하십시오.
- 온도가 40°C (104°F)를 초과할 수 있는 곳(여름철 허름한 창고 또는 금속 건물 등)에 공구와 배터리 팩을 보관하거나 사용하지 마십시오.
- **배터리 팩이 심하게 손상되거나 완전히 낡았더라도 절대 소각하지 마십시오.** 배터리 팩은 불 속에서 폭발할 수 있습니다. 리튬이온 배터리 팩은 연소되면서 독성 연기과 물질을 발생시킵니다.
- **배터리 내용물이 피부에 닿으면 즉시 중성 세척제로 해당 부위를 씻으십시오.** 배터리아이 눈에 들어갔을 경우, 15분 정도 또는 통증이 가실 때까지 눈을 뜨고 물로 씻어냅니다. 치료가 필요한 경우를 위해, 배터리 전해질은 액체 유기 탄산염과 리튬염의 혼합물로 구성되어 있음을 알아 두십시오.
- **열린 배터리 셀의 내용물은 호흡기 질환을 일으킬 수 있습니다.** 신선한 공기를 마시십시오. 증상이 계속되면 치료를 받으십시오.


 **경고:** 화재 위험. 배터리아이는 불꽃이나 화염에 노출되면 연소될 수 있습니다.

 **경고:** 어떤 이유든 배터리 팩을 절대 분해하지 마십시오. 배터리 팩 케이스가 깨지거나 손상되면 충전기에 넣지 마십시오. 배터리 팩을 뭉개거나 떨어뜨리거나 손상시키지 마십시오. 강한 충격을 받았거나, 떨어뜨렸거나, 차에 치였거나 기타의 원인으로 어떤 방식으로든 손상된(미 박히거나 망치로 맞았거나 밟힘) 배터리 팩이나 충전기는 사용하지 마십시오. 감전 또는 감전사의 위험이 있습니다. 손상된 배터리 팩은 재활용을 위해 서비스 센터에 반환해야 합니다.

 **경고:** 화재 위험. 배터리 팩을 보관하거나 휴대할 때는 노출된 배터리 단자에 금속 물체가 닿지 않도록 하십시오. 예를 들어, 못, 나사, 키 등이 있는 앞치마, 주머니, 도구장자, 제품 키트 상자, 서랍 등에 배터리 팩을 두지 마십시오.

 **주의:** 사용하지 않는 공구는 걸려 넘어지거나 떨어질 위험이 없는 안정된 표면에 놓혀 두십시오. 배터리 팩이 큰 일부 공구들은 배터리 팩 위에 바로 서 있지만 쉽게 넘어질 수 있습니다.

운반

 **경고:** 화재 위험. 배터리를 운반할 때 배터리 단자가 실수로 전도성 물질과 닿을 경우 화재 위험의 가능성이 있습니다. 배터리를 운반할 경우에는 배터리 단자가 보호되어 있고, 물체에 닿을 경우 단락을 일으킬 수 있는 물체로부터 제대로 절연되어 있는지 확인하십시오.

참고: 리튬이온 배터리는 검사된 수화물에 넣어야 합니다.

DEWALT 배터리는 위험물운송규칙(Transport of Dangerous Goods), IATA (International Air Transport Association, 국제 항공 운송 협회) 위험물 규정, IMDG (International Maritime Dangerous Goods, 국제해상위험물운송) 규정 및 위험물 도로운송에 관한 ECE의 규칙(European Agreement Concerning The International Carriage of Dangerous Goods by Road, ADR)에 대한 UN 권고사항을 포함하여, 산업 및 법적 기준에 의한 규정에 따라 모든 해당 운송 규정을 준수하고 있습니다. 리튬 이온 전지 및 배터리는 위험 화물 테스트 및 기준 설명서에 대한 UN 권고 38.3항에 따라 테스트되었습니다.

대개의 경우, DeWALT 배터리 팩 해상 운송은 완전 규제를 받는 Class 9 위험 물질로 분류되는 것에서 제외됩니다. 일반적으로, 에너지용 등급이 100 와트시(Wh)보다 큰 리튬 이온 배터리를 포함하는 수송품만 완전 규제를 받는 Class 9에 따라 수송되어야 합니다. 모든 리튬 이온 배터리에는 팩에 와트시 등급이 표시되어 있습니다. 뿐만 아니라, 규정의 복잡성으로 인해 DeWALT는 와트 시 등급에 상관 없이 항공 운송 리튬 이온 배터리 팩을 단독으로 권장하지 않습니다. 배터리 팩의 와트시 등급이 100 Wh보다 크지 않을 경우는 제외됨으로 배터리(콤보 키트)가 포함된 공구의 수송품을 항공 운송할 수 있습니다.

수송품이 예외로 고려되든지 또는 완전 규제를 받든지 상관없이, 포장, 라벨링/표시 및 문서 요건에 관한 최신 규정을 참고하는 것은 운송 회사의 책임입니다.

설명서의 본 섹션에서 제공하는 정보는 신념을 갖고 제공되며 문서가 작성될 당시에는 정확한 것으로 간주됩니다. 단, 명시적이거나 함축적으로 보증은 제공되지 않습니다. 활동 시 해당 규정을 준수하는 것은 구매자의 책임입니다.

FLEXVOLT™ 배터리 운반

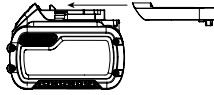
DEWALT FLEXVOLT™ 배터리에는 두 개의 모드, 즉 **사용** 및 **운반**이 있습니다.

사용 모드: FLEXVOLT™ 배터리는 독립되어 있거나 DEWALT 18/20 Max Volt 제품 안에 있을 경우, 18/20 Max V 배터리로 작동됩니다.

FLEXVOLT™ 배터리는 54V 또는 108/120 Max Volt (두 개의 54/60 Max Volt 배터리) 제품이면, 54/60 Max Volt 배터리로 작동됩니다.

운반 모드: 캡이 FLEXVOLT™ 배터리에 장착되어 있으면, 배터리는 운반 모드에 있는 것입니다. 운반 시 캡을 유지하십시오.

운반 모드에 있을 때, 더 높은 와트시 등급의 배터리 1개에 비해 더 낮은 와트시(Wh) 등급의 배터리 3개가 되는 팩 내에서 일련의 셀은 전기 연결이 끊어져 있습니다. 와트시 등급이 더 낮은 이 증가된 배터리 3개 수량은 더 높은 와트시 배터리에 부과되는 특정 수송 규정에서 팩을 면제시킬 수 있습니다.



예를 들어, 운반 Wh 정격은 3 x 36 Wh를 나타내며, 각 36 Wh 배터리 3개를 의미합니다. 사용 Wh 정격은 108 Wh를 나타낼 수 있습니다 (1개 배터리 포함).

사용 및 운반 라벨 표시의 예

Use: 108 Wh
Transport: 3x36 Wh

보관 권장 사항

1. 보관 장소로는 직사광선을 받지 않고 지나치게 덥거나 춥지 않은 시원하고 건조한 곳이 가장 좋습니다. 최적의 배터리 성능과 수명을 위해, 사용하지 않을 때에는 배터리 팩을 실온에서 보관하십시오.
2. 장기간 보관하는 경우, 최적의 결과를 위해 완전히 충전된 배터리 팩을 충전기에서 분리하여 차갑고, 건조한 장소에 보관하는 것이 좋습니다.

참고: 배터리 팩은 완전히 방전된 상태로 보관해서는 안 됩니다. 사용 전에 배터리 팩을 재충전해야 합니다.

충전기 및 배터리 팩에 부착된 라벨

본 설명서에 사용된 그림 외에도 충전기 및 배터리 팩에 부착된 레이블에는 다음과 같은 그림이 표시되어 있습니다.



사용 전에 사용 설명서의 내용을 숙지하십시오.



충전 시간은 **기술 데이터**를 참조하십시오.



전도성 있는 물체로 시험하지 마십시오.



손상된 배터리 팩을 충전하지 마십시오.



물에 닿지 않도록 하십시오.



손상된 코드는 즉시 교체하십시오.



4°C ~ 40°C 사이에서만 충전하십시오.



실내 전용.



환경 보호 차원에서 배터리 팩을 폐기하십시오.



지정된 DeWALT 충전기만으로 DeWALT 배터리 팩을 충전하십시오. DeWALT 충전기에 지정된 DeWALT 배터리 이외의 배터리 팩을 충전하면 폭발하여 다른 위험한 상황으로 이어질 수 있습니다.



배터리 팩을 소각하지 마십시오.



사용(운반 캡 미포함). 예: Wh 정격은 108 Wh를 나타냅니다(108 Wh 배터리 1개).



운반(내장 운반 캡 포함). 예: Wh 정격은 3 x 36 Wh (36 Wh 배터리 3개)를 나타냅니다.

배터리 유형

DCW210은 18/20 Max Volt 배터리 팩으로 작동됩니다. 이러한 배터리 팩은 다음을 사용할 수 있습니다. DCB181, DCB182, DCB183, DCB183B, DCB184, DCB184B, DCB185, DCB187, DCB189, DCB546, DCB547, DCB548. 자세한 정보는 **기술 데이터**를 참조하십시오.

본 기기는 모든 디윌트 20V Max 배터리와 호환됩니다. 5.0Ah 또는 그 이하 용량의 배터리 사용을 권장합니다.

포장 내용물

포장에는 다음 내용물이 들어 있습니다.

- 1 랜덤 원형 샌더
- 1 먼지주머니
- 1 리튬 이온 배터리 팩(C1, D1, L1, M1, P1, S1, T1, X1 모델)
- 2 리튬 이온 배터리 팩(C2, D2, L2, M2, P2, S2, T2, X2 모델)
- 3 리튬 이온 배터리 팩(C3, D3, L3, M3, P3, S3, T3, X3 모델)
- 1 사용 설명서

참고: 배터리 팩, 충전기 및 공기박스는 N 모델에 포함되지 않습니다. 배터리 팩과 충전기는 NT 모델에 포함되지 않습니다. B 모델에는 Bluetooth® 배터리 팩이 포함됩니다.

참고: Bluetooth® 단어 마크 및 로고는 Bluetooth®, SIG, Inc.가 소유한 등록 상표이고 DeWALT는 허가 하에 그러한 모든 마크를 사용하고 있습니다. 기타 상표 및 상표명은 각 해당 소유주의 것입니다.

- 운반 중에 발생할 수 있는 공구, 부품 또는 액세서리의 손상 여부를 확인하십시오.
- 작동 전에 시간을 내어 본 사용 설명서를 읽고 숙지하십시오.

공구에 표시된 마크

공구에는 다음과 같은 그림이 있습니다.



사용 전에 사용 설명서의 내용을 숙지하십시오.



귀 보호 장구를 착용하십시오.



보안경을 착용하십시오.

날짜 코드 위치(그림 C)

날짜 코드 9에는, 제조년도가 포함되어 이 제조년도는 케이스에 인쇄되어 있습니다.

예:

2018 XX XX
제조년도

설명(그림 A)

! **경고:** 전동 공구 또는 전동 공구의 어떤 부품도 절대 개조하지 마십시오. 제품이 파손되거나 신체 부상을 당할 수도 있습니다.

- 1 On/Off 스위치
- 2 속도 제어 다이얼
- 3 먼지 포트
- 4 먼지주머니
- 5 먼지주머니 칼라
- 6 샌딩 패드
- 7 배터리 팩

용도

본 랜덤 원형 샌더는 목재, 금속, 플라스틱 및 도장한 표면의 샌딩용으로 설계되었습니다.

습한 환경이나 가연성 액체 또는 가스가 있는 장소에서 사용하지 **마십시오**.

이 샌더는 전문 전동 공구입니다. 어린이가 이 공구를 만지지 **않도록 하십시오**. 경험이 없는 작업자가 이 공구를 사용할 때는 감독자의 지도가 필요합니다.

- **어린이 및 노약자.** 본 제품은 어린이나 노약자가 사용하도록 설계되지 않았습니다. 이러한 사람이 사용할 때는 감독이 필요합니다.
- 본 제품은 안전 책임을 맡고 있는 사람이 감독을 하고 있지 않는 한 경험, 지식 또는 기술이 부족하고 신체적, 감각적 또는 정신적 능력이 미약한 사람(어린이 포함)이 사용하도록 고안된 것이 아닙니다. 이 제품과 함께 어린이만 혼자 두어서는 안됩니다.

조립 및 조정

! **경고:** 심각한 신체 부상의 위험을 줄이려면 공구를 조정하거나 부착물 또는 액세서리를 제거/설치하기 전에 공구를 끄고 배터리 팩을 분리하십시오. 공구가 갑자기 작동하여 부상을 당할 수 있습니다.

! **경고:** DeWALT 배터리 팩과 충전기만 사용하십시오.

배터리 팩 삽입 및 공구에서 배터리 팩 분리(그림 C)

참고: 배터리 팩 7이 완전히 충전되었는지 확인하십시오.

배터리 팩을 공구 핸들에 설치하려면

- 1. 샌더의 배터리 포트 안쪽의 레일에 배터리 팩 7을 맞추십시오(그림 C).

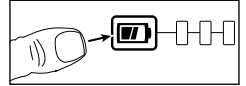
- 2. 배터리 포트에 배터리 팩이 견고하게 장착될 때까지 배터리 포트에 밀어 넣고 딸깍하고 잠가는 소리가 들리는지 확인하십시오.

공구에서 배터리 팩을 분리하려면

- 1. 탈착 버튼 8을 누르고 배터리 팩을 배터리 포트에서 완전히 빼냅니다.
- 2. 본 사용 설명서의 충전기 섹션에 설명된 대로 배터리 팩을 충전기에 삽입합니다.

잔량표시계 배터리 팩

일부 DeWALT 배터리 팩에는 배터리 팩의 남아 있는 충전 레벨을 표시하는 세 개의 녹색 LED 등으로 구성된 연료계가 포함되어 있습니다.



연료계를 작동시키려면, 잔량표시계 버튼을 누릅니다. 녹색 LED 표시등 3개가 조합되어 커짐으로써 충전 잔량 수준을 나타냅니다. 배터리 잔량이 사용 가능한 한계치 미만이면 배터리 잔량표시계가 켜지지 않으며 배터리를 재충전해야 합니다.

참고: 연료계는 배터리 팩에 남아 있는 충전 레벨을 나타내는 것일 뿐입니다. 공구의 기능을 나타내는 것이 아니며 제품 구성품, 온도 및 최종 사용자의 용도에 따라 변경될 수 있습니다.

샌딩 디스크 장착(그림 D)

본 샌더는 8 홀 집진 패턴이 있는 125 mm 샌딩 디스크 10를 사용하도록 설계되었습니다. DCW210용 샌딩 디스크는 벨크로로 고정합니다.

샌딩 패드에 샌딩 디스크를 장착하려면(그림 D)

- 1. 샌딩 패드 6가 위쪽을 향하도록 샌더를 뒤집으십시오.
- 2. 샌딩 패드 6 표면에 있는 먼지를 청소합니다.
- 3. 한 손으로 패드가 회전하지 않도록 패드를 잡습니다.
- 4. 다른 손으로는, 구멍과 정렬하고 샌딩 디스크 10를 패드 상단에 직접 놓습니다.

참고: 이 샌더는 석고 보드에서 사용하기 위한 것이 아닙니다. 벨크로 패드에 직접 샌딩 스크린(예, 샌딩 석고 보드에 사용되는 스크린)을 사용하면 견디지 못하고 패드의 후크를 손상시키게 됩니다. 공구가 작동되는 동안 작업면에 접촉되어 있는 경우 패드의 후크가 매우 빠르게 마모됩니다.

스위치(그림 A)

기기를 켜려면, 기호 "I"와 일치하는 먼지 보호식 스위치 1쪽을 누릅니다. 공구를 끄려면 기호 "O"와 일치하는 스위치 쪽을 누릅니다.

속도 제어 다이얼(그림 A)

그림 A와 같이 속도 제어 다이얼 2을 통해 속도를 분당 8000-12000 회전수로 높이거나 줄일 수 있습니다. 각 용도에 적합한 최적의 설정은 개인적 선호에 따라 크게 다릅니다. 일반적으로, 딱딱한 재질에서는 더 높은 설정을 사용하고 부드러운 재질에서는 더 낮은 설정을 사용하고자 할 것입니다. 속도가 높아짐에 따라 재료 탈거율이 증가합니다.

집진(그림 A, E, G)

경고: 샌더를 사용하는 목공 작업은 먼지를 발생 시키므로, 항상 먼지 배출에 관해 적용되는 지침에 따라 설계된 먼지주머니를 설치하십시오.

경고: 금속을 샌딩할 때는 적절한 스파크 보호 기능 없이 먼지주머니 또는 진공 환기 장치를 사용하지 마십시오.

샌더에는 먼지 배출 방법이 두 가지 있는데, 즉, 제공된 먼지주머니 4 또는 매장용 진공 장치를 연결할 수 있는 내장 포트 3 와, 먼지 덮개(11, 그림 G)가 있습니다. 내장 포트는 DeWALT 집진기와 에어로크 액세서리 DWV9000 과 호환할 수 있도록 하는 DeWALT Airlock 연결 기능을 활용합니다.

먼지주머니를 장착하려면

1. 샌더를 잡은 상태에서, 그림 E와 같이 먼지주머니 칼라 5 를 먼지 포트 3 에 맞춥니다.
2. 칼라 5 를 시계 반대 방향으로 돌려서 먼지주머니 4 를 제 자리에 잠깁니다.

먼지주머니를 비우려면

참고: 이 절차를 수행할 때에는 승인된 보호 장구 및 승인된 방진 마스크를 반드시 착용하십시오. 효율적인 집진을 위해, 약 1/3이 가득 차면 먼지 흡입부를 비웁니다.

1. 샌더를 잡고 있는 상태에서, 칼라 5 를 시계 반대 방향으로 돌려서 먼지주머니 4 의 잠금을 풉니다.
2. 샌더에서 먼지주머니를 분리한 다음 먼지주머니를 살짝 흔들거나 두드려서 먼지를 비웁니다.
3. 먼지주머니를 먼지 포트에 다시 장착하고 먼지주머니 칼라를 시계 방향으로 돌려서 제 자리에 고정합니다.

모든 먼지가 주머니에 완전히 떨어지지 않을 수 있습니다. 이는 샌딩 성능에 영향을 주지 않지만 샌더의 집진 효율성을 감소시킵니다. 샌더의 집진 효율성을 회복시키려면, 비우고 쓰레기통 또는 먼지통의 측면에 대고 털 때 먼지주머니 안쪽의 스프링을 누릅니다.

경고: 집진기가 제자리에 없을 때는 이들 공구를 절대로 작동하지 마십시오. 샌딩 시 먼지 배출로 인해 호흡 관련 위험을 야기할 수 있습니다.

조작

사용 지침

경고: 안전 지시 사항과 해당 규정을 항상 준수하십시오.

경고: 심각한 신체 부상의 위험을 줄이려면 공구를 조정하거나 부착물 또는 액세서리를 제거/설치 하기 전에 공구를 끄고 배터리 팩을 분리하십시오. 공구가 갑자기 작동하여 부상을 당할 수 있습니다.

올바른 손의 위치(그림 F)

경고: 심각한 신체 부상의 위험을 줄이려면 항상 그림과 같이 올바르게 손을 위치하십시오.

경고: 심각한 신체 부상의 위험을 줄이려면, 항상 급작스러운 반동을 예상하고 확실하게 잡으십시오.

그림과 같이 올바른 손의 위치가 되려면 한 손을 주 손잡이에 놓아야 합니다.

샌더 작동(그림 F)

참고: 이 샌더는 석고 보드에서 사용하기 위한 것이 아닙니다.

참고: 샌더가 과부하되지 않도록 하십시오. 과부하가 발생하면 속도와 작업물의 마감 품질이 크게 떨어집니다. 기기도한 뜨거워질 수 있습니다. 이러한 경우, 샌더를 1,2분 동안 무부하 상태에서 작동 시킵니다.

샌더를 작동하려면 그림 F와 같이 잡고 스위치를 켭니다. 샌더가 작동하도록 두면서 샌딩되는 표면에 따라 쓸어 내면서 샌더를 접근해 갑니다.

샌딩 시 실제로 탈거물을 늦추는 동안 공구를 꼭 누르면 표면 품질이 떨어집니다. 이 샌더는 거친 사포를 사용할 때 특히 재료를 빠르게 제거할 수 있으므로 자주 작업물을 확인하십시오.

대부분의 샌딩 작업의 경우 샌더의 랜덤 원형 동작을 통해 결에 따라 또는 어떤 각도에서든 샌딩할 수 있습니다. 가능한 최상의 마감 처리를 만들어 내려면, 거친 입자의 사포로 시작하고 점차 더 미세한 사포로 교체합니다. 그릿 단계 사이에 압정으로 고정된 천으로 표면을 진공 청소하고 닦아냅니다. 본 샌더는 작은 또는 비좁은 곳에서 샌딩하도록 설계되었습니다. 머리 위에서 하는 작업의 경우 크기가 작고 가벼운 것이 좋습니다.

집진 백이 가득 차는 속도는 샌딩되는 재료의 종류와 사포의 거칠기에 따라 차이가 있습니다. 최상의 결과를 위해 백을 자주 비워 주십시오. 도장 표면을 샌딩할 때는(페인트 샌딩 시 추가 주의 사항은 다음 사항 참고), 사포가 적재되고 페인트를 마치는 것을 확인할 수 있습니다. 샌딩 연에 페인트를 제거하는 데는 열선총이 훨씬 더 잘 됩니다. 열선 총 사용 설명서의 모든 안전 지시 사항을 준수하십시오.

페인트 샌딩 작업 시의 주의 사항

오염된 먼지는 통제하기 어렵기 때문에 납이 포함된 페인트의 샌딩은 권장하지 않습니다. 납 중독은 어린이와 임산부에게 가장 위험합니다.

화학적 분석 없이는 페인트에 납이 포함되어 있는지 파악하기 어렵기 때문에 페인트를 벗겨낼 때는 다음 사항에 주의해야 합니다.

1. 신체 안전 사항

- 페인트 샌딩을 수행 중인 작업 장소에는 청소가 끝날 때까지 어린이나 임산부가 들어와서는 안됩니다.
- 작업 장소에 들어오기 전에 모든 사람은 방진 마스크나 방독 마스크를 써야 합니다. 필터는 매일 또는 착용한 사람이 호흡하기 어려우면 언제든지 교체해야 합니다. 적절한 NIOSH 인증 방진 마스크는 현지 공구점에 문의하십시오.
- 오염된 페인트 입자를 흡입하는 일을 막기 위해 작업 장소에서는 절대 식사를 하거나 음료를 마시거나 흡연을 해서는 안됩니다. 작업자는 먹거나 마시거나 흡연하기 전에 깨끗이 씻어야 합니다. 음식, 음료 또는 담배 등은 작업 장소에 남겨 두어서는 안됩니다. 먼지가 앉을 수 있습니다.

2. 환경 안전 주의 사항

- 페인트를 제거할 때는 발생한 먼지의 양을 최소화해야 합니다.
- 페인트 제거 작업 장소는 4mm 두께의 비닐로 밀봉해야 합니다.
- 샌딩 작업을 할 때는 작업 장소 바깥에 페인트 먼지의 흔적이 남지 않게 해야 합니다.

3. 청소 및 폐기

- 작업 장소의 모든 표면은 진공 청소를 하고 샌딩 프로젝트 기간 동안 매일 철저히 청소해야 합니다. 진공청소기용 필터 백은 자주 교체해야 합니다.
- 비닐 덮개는 수거한 뒤 다른 먼지 또는 파편 조각과 함께 폐기해야 합니다. 쓰레기 봉투에 담아 밀봉한 뒤 정기적인 쓰레기 수거 절차에 따라 폐기해야 합니다. 청소 중에 어린이와 임산부는 작업 장소 가까이 있어서는 안됩니다.
- 어린이가 사용하는 모든 장난감, 세척 가능한 가구 및 기구는 다시 사용하기 전에 철저히 세척해야 합니다.

유지 보수

DeWALT 전동 공구는 최소한의 유지 보수로 장기간에 걸쳐 작업이 가능하도록 설계되어 있습니다. 만족스러운 연속 작동은 적절한 공구 관리와 정기적인 청소에 따라 그 성능이 달라질 수 있습니다.

! 경고: 심각한 신체 부상의 위험을 줄이려면 공구를 조정하거나 부착물 또는 액세서리를 제거/설치하기 전에 공구를 끄고 배터리 팩을 분리하십시오. 공구가 갑자기 작동하여 부상을 당할 수 있습니다.

충전기 및 배터리 팩은 수리할 수 없습니다.

샌딩 패드 및 벨트 교체하기(그림 G)

샌더에는 패드 **6** 와 샌더 보다 **12** 사이에 위치한 교체 벨트 **13** 가 장착되어 있습니다. 기기가 작업면에서 떨어져 있는 동안 패드 속도를 제어하도록 설계되었습니다. 벨트와 샌딩 패드 **6** 는 소모품으로 설계되었으므로 가끔 교체해야 합니다. 마모의 징후가 눈에 띄면 샌딩 패드를 교체해야 합니다. 기기가 작업면에서 들어 올려져 있을 때 패드 속도가 아주 급격하게 증가하면 벨트를 교체해야 합니다. 추가 비용을 부담하면 인근 지역에 있는 판매점이나 공인 DeWALT 서비스 센터에서 이러한 부품을 구입할 수 있습니다.

1. 테이블을 단단히 잡고, 패드 하단에서 나사 **14** 네 개를 분리합니다.
2. 패드 **6** 를 분리합니다.
3. 그림 G와 같이 어깨 나사 **15** 와 베어링 고정기 **16** 주위에서 감싸 마모되거나 손상된 벨트 **13** 를 교체합니다.
4. 패드를 재설치합니다(필요할 경우 새 패드를 교체합니다). 네 개의 나사 **14** 를 다시 끼웁니다. 나사를 지나치게 조이지 마십시오.



운할방법

전동 공구는 별도의 운할 작업이 필요하지 않습니다.



청소

! 경고: 통풍구 속이나 주변에 먼지가 쌓여있는 것이 보이면 가능한 한 자주 건조한 공기를 이용하여 몸체에서 먼지를 불어내십시오. 이 절차를 수행할 때에는 승인된 보호 장구 및 승인된 방진 마스크를 착용하십시오.

! 경고: 공구의 금속 이외 부품을 청소할 때는 용제 등의 강력한 화학약품을 절대 사용하지 마십시오. 그렇지 않으면 이러한 부분에 사용된 재료가 약해질 수 있습니다. 형광에 물과 순한 비누를 적셔 닦아 주십시오. 공구 내부에 액체를 넣거나 공구 부품을 액체에 담그는 행동은 절대 금물입니다.

선택 액세서리

! 경고: DeWALT에서 제공하지 않은 액세서리는 본 제품에서 테스트되지 않았으므로 본 제품에서 이러한 액세서리를 사용하면 위험할 수 있습니다. 신체 부상의 위험을 줄이려면 본 제품에 알맞은 액세서리만 사용해야 합니다.

해당 액세서리에 대한 자세한 정보는 판매 대리점으로 문의하십시오.

환경 보호



분리 수거. 이 기호가 표시된 제품과 배터리를 일반 가정용 쓰레기와 함께 처리하면 안됩니다. 제품과 배터리에는 재활되거나 재사용되고 고철 자원에 대한 수요를 줄일 수 있는 자재가 포함되어 있습니다. 전기 제품과 배터리는 지역 규정에 따라 재활용하십시오. 자세한 내용은 www.2helpU.com에서 찾아볼 수 있습니다.

충전용 배터리 팩

이전에 쉽게 수행했던 작업에 대해 충분한 힘을 발휘하지 못하는 배터리 팩은 재충전해야 합니다. 배터리 수명이 다하면 환경 보호 차원에서 배터리 팩을 폐기하십시오.

- 배터리 팩을 완전히 사용하고 난 후 공구에서 분리하십시오.
- 리튬이온 셀은 재활용할 수 있습니다. 이 전지를 판매점이나 지역 재활용 센터로 가져가십시오. 수집된 배터리 팩은 재활용되거나 적절히 폐기됩니다.

